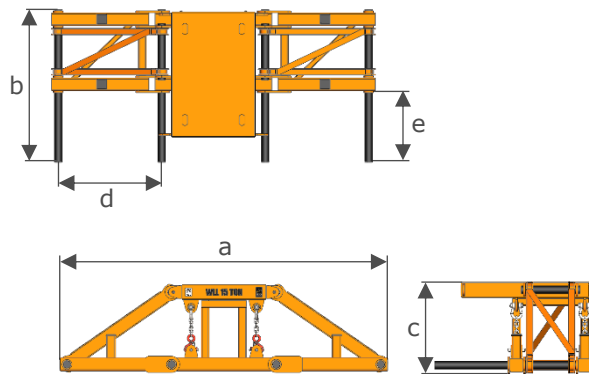


Coil Handling Yoke Datasheet



4 Coil Configuration



2 Coil Configuration

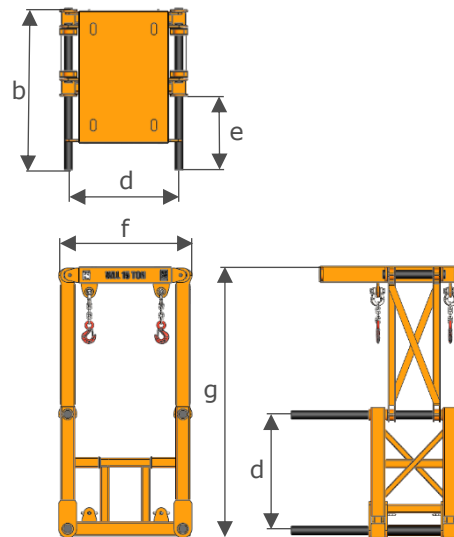


Table 1-1 - Parameters

Configuration	Description	Parameter	Dimension	Unit
4 Coils	Width (over all)	a	5020	[mm]
	Depth (over all)	b	2360	[mm]
	Height to crane head	c	1340	[mm]
	C.T.C. coil to coil	d	1600	[mm]
	Coil supporting length	e	1080	[mm]
2 Coils	Width (over all)	f	1850	[mm]
	Depth (over all)	b	2360	[mm]
	Height to crane head	g	3780	[mm]
	C.T.C. coil to coil	d	1600	[mm]
	Coil supporting length	e	1080	[mm]

Table 1-2 – Specifications

Specifications	
Working load limit	15 metric ton
Mass (empty)	2.95 ton
Crane interface	Four twistlocks to connect to rotator head
Code compliance	NEN-EN 13155